



SPARE PARTS EXPLODED VIEW  
GAS WALL BOILERS

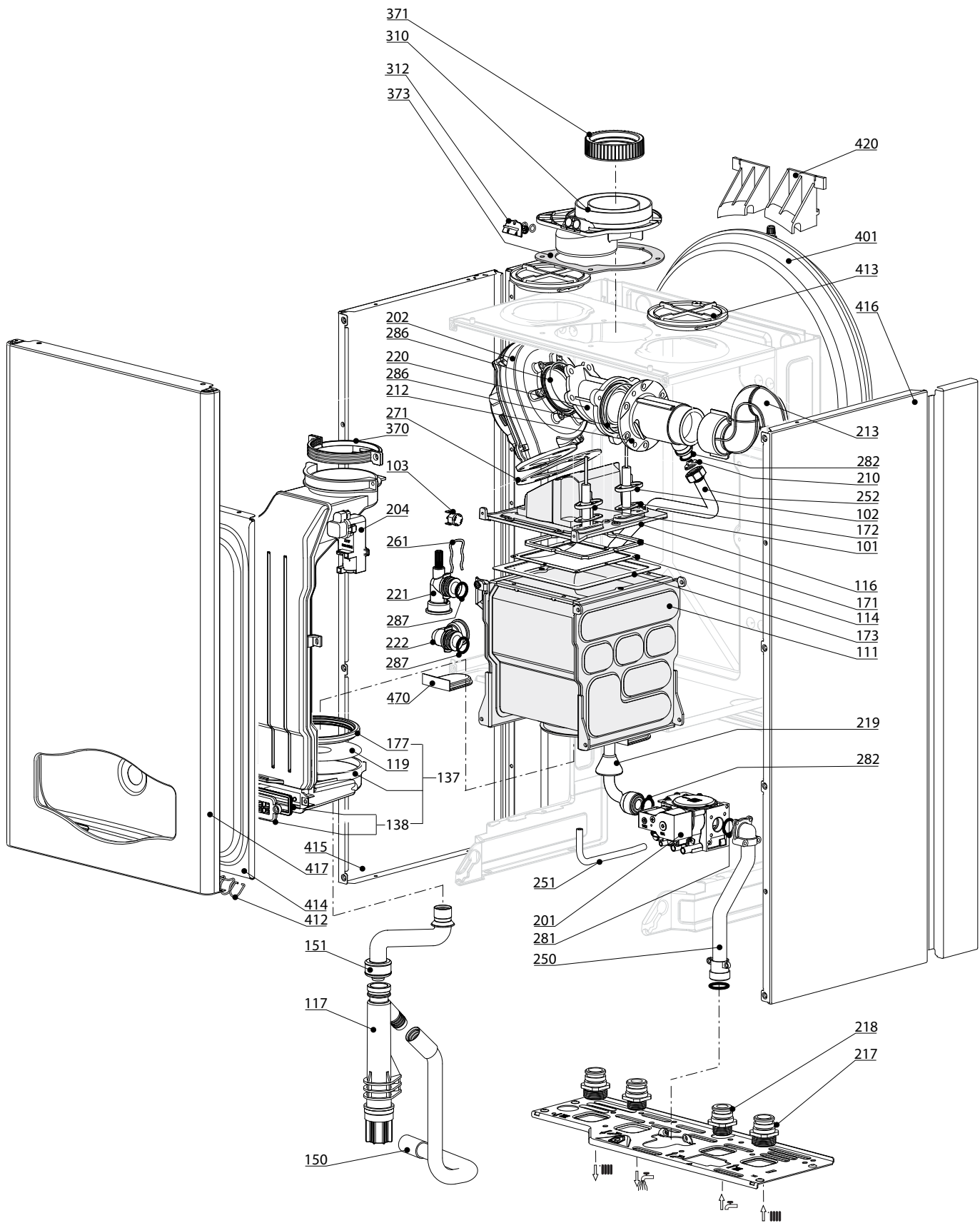
Model

**EGIS PREMIUM**

R8203323-02 - 26/09/2012

- EN**
- FR**
- IT**
- ES**
- DE**

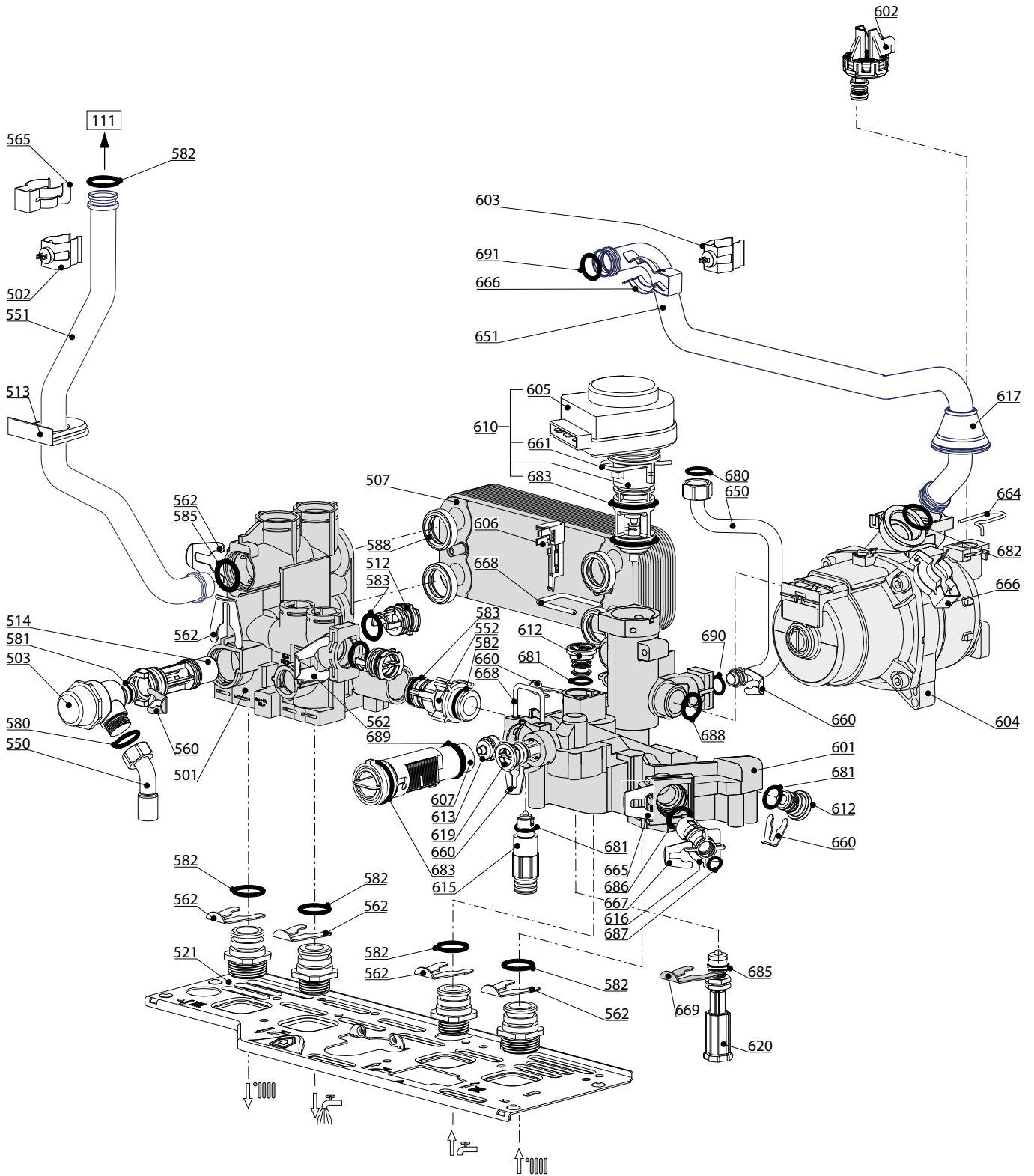
1	3300414	EGIS PREMIUM 24 NG	10-2011	-
2	3300436	EGIS PREMIUM 30 NG	10-2011	-
Col	Reference	Model type	Begin	End



EGIS PREMIUM 24  
EGIS PREMIUM 30

31

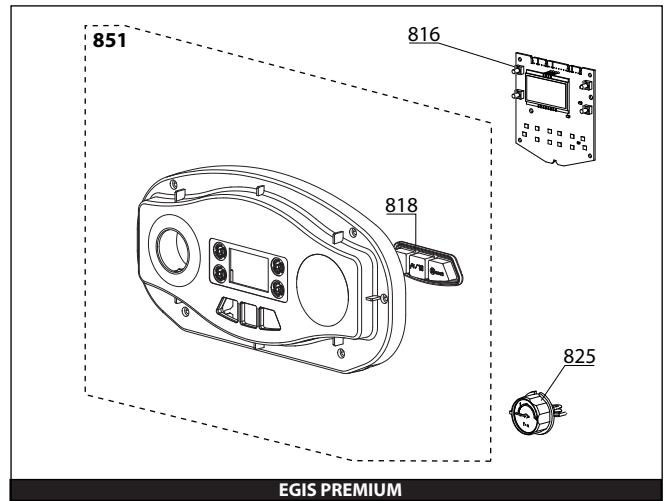
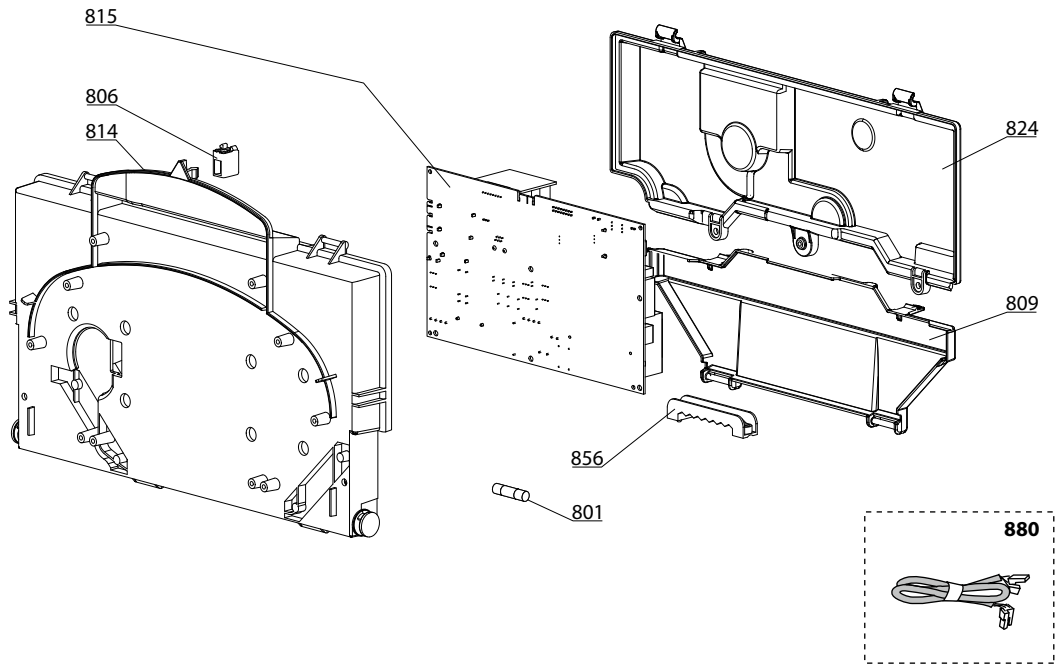
☉⇒	Description	Manf. Pt. N	Type																		
				1	2	3	4	5	6	7	8	9	10	11	12	13	14	15	16	17	18
<b>0100</b>	<b>BURNER ASSEMBLY</b>																				
0101	IGNITION ELECTRODE	60001872		•	•																
0102	IONIZATION ELECTRODE	60001873		•	•																
0103	OVERHEAT THERMOSTAT 95C	61008586		•	•																
0111	EXCHANGER 30KW	60001288			•																
	EXCHANGER 24KW	60001865		•																	
0114	BURNER 30KW	60001289			•																
	BURNER 24KW	60001851		•																	
0116	CONDENSER COVER 30KW	60001290			•																
	CONDENSER COVER 24KW	60001866		•																	
0117	TRAP	60000987		•	•																
0119	RESTRICTOR D: 37	60001291			•																
	RESTRICTOR D: 30	60001858		•																	
0137	FLUE DUCT FIRST SECTION	60001854		•	•																
0138	COVER	60001855		•	•																
0150	TUBE PVC D:19 L:500	60000976		•	•																
0151	FLEXIBLE PIPE	60001876		•	•																
0171	GASKET (/COVER 30KW)	60001292			•																
	GASKET (/COVER 24KW)	60001863		•																	
0172	ELECTRODE GASKET	60000286-01		•	•																
0173	GASKET (/Burner 30KW)	60001293			•																
	GASKET (/Burner 24KW)	60001864		•																	
0177	GASKET (/Heat exchanger)	60001874		•	•																
<b>0200</b>	<b>GAS SECTION</b>																				
0201	GAS VALVE	60001612		•	•																
0202	FAN ASSY	60001869		•	•																
0204	IGNITER	60001871		•	•																
0210	GAS RESTRICTOR D: 5.70	60001940			•																
	GAS RESTRICTOR D: 4.70	60001950		•																	
0212	VENTURI D: 17MM	60001941		•																	
	VENTURI D: 25MM	60001942			•																
0213	SILENCER	60001852		•	•																
0217	UNION (3/4)	65104326		•	•																
0218	UNION (1/2)	65104327		•	•																
0219	RUBBER	65103362		•	•																
0220	GAS CONNECTION	60001862		•	•																
0221	HEATING FLOW CONNECTION	60001868-01		•	•																
0222	HEATING RETURN CONNECTION	60001867-01		•	•																
0250	GAS TUBE	60001614		•	•																
0251	SILICONE PIPE	60001613		•	•																
0252	GAS TUBE	60001860		•	•																
0261	CLIP D:18	60001879		•	•																
0271	GASKET	60001870		•	•																
0281	O-RING 22,22X2,62	65104304		•	•																
0282	SHEET GASKET D: 24-18.2-1.5	60022835-01		•	•																
0286	GASKET	60001878		•	•																
0287	O-RING D: 20.22-3.53	60001880		•	•																
<b>0300</b>	<b>FAN ASSEMBLY</b>																				
0310	BI FLUX CONNECTION	60001857		•	•																
0312	FLUE INTAKE PLUG	65104295		•	•																
0370	GASKET (/Connection)	60001875		•	•																
0371	GASKET	60000316		•	•																
0373	GASKET	60000317		•	•																
<b>0400</b>	<b>SEALED CASE</b>																				
0401	EXPANSION VESSEL	65104261		•	•																
0412	SPRING FRONT PANEL (KIT)	65107048		•	•																
0413	AIR RETURN COVER	65104249		•	•																
0414	PANEL (FRONT - SEALED CHAMBER)	65105678		•	•																
0415	CASE PANEL (L.H. SIDE)	65105676		•	•																
0416	CASE PANEL (R.H. SIDE)	65105677		•	•																
0417	CASE PANEL (FRONT)	60001604		•	•																
0420	EXPANSION VESSEL SUPPORT	65104696		•	•																
0470	GROMMET	60000807		•	•																
0471	CABLE INLET RUBBER WASHER	60000541		•	•																



EGIS PREMIUM 24  
EGIS PREMIUM 30

31

☉→	Description	Manf. Pt. N	Type																		
				1	2	3	4	5	6	7	8	9	10	11	12	13	14	15	16	17	18
<b>0500</b>	<b>FLOW GROUP</b>																				
0501	FLOW GROUP	65104312		•	•																
0502	TEMPERATURE PROBE + CLIP	990686		•	•																
0503	PRESSURE RELIEF VALVE 3 BAR	61312668		•	•																
0507	WATER / WATER HEAT EXCHANGER 16	65104333		•	•																
0512	PLUG	65104445		•	•																
0513	GROMMET	60000807		•	•																
0514	BY-PASS	65104336		•	•																
0521	HYDRAULIC GROUP SUPPORT	65104311		•	•																
0550	PIPE (SAFETY VALVE)	65104447		•	•																
0551	HEATING FLOW BEND	60001877		•	•																
0552	BY-PASS PIPE	65104340		•	•																
0560	CLIP D:10	65104260		•	•																
0562	CLIP D=18	65104259		•	•																
0565	CLIP	60000309		•	•																
0580	SHEET GASKET D: 13.9-10.4-1.5	60061853-02		•	•																
0581	O - RING (15.88X2.62)	65104337		•	•																
0582	O-RING D: 17.86-2.62	61308091		•	•																
0583	O - RING (15.54X2.62)	65104325		•	•																
0585	O-RING 3,53X17,04	65104262		•	•																
0588	EXCHANGER GASKET	65104334		•	•																
<b>0600</b>	<b>RETURN GROUP</b>																				
0601	RETURN GROUP	65104335		•	•																
0602	LOW PRESSURE SWITCH	65105090		•	•																
0603	TEMPERATURE PROBE + CLIP	990686		•	•																
0604	PUMP 6M 2V	60000591			•																
	PUMP 5M 2V	65104319		•																	
0605	MOTOR - THREE-WAY VALVE	61302483-01		•	•																
0606	SENSOR (REED)	65104323		•	•																
0607	FLOW METER	65104317		•	•																
0610	MOTOR + SPRING 3 WAY VALVE KIT	60001583		•	•																
0612	PLUG	65104377		•	•																
0613	RIDUCTORS (KIT)	65104318		•	•																
0615	KIT DRAIN SCREW	60001385		•	•																
0616	WATER FILTER	60001372		•	•																
0617	RUBBER	65102770		•	•																
0619	CHECK VALVE CARTRIDGE	65105323		•	•																
0620	FILLING TAP KIT	65104324		•	•																
0650	PIPE (EXPANSION VESSEL)	65104253		•	•																
0651	HEATING RETURN TUBE	60001859		•	•																
0660	CLIP D:10	65104260		•	•																
0661	CLIP	65104332		•	•																
0664	CLIP	65104322		•	•																
0665	CLIP	65104331		•	•																
0666	CLIP	60000309		•	•																
0667	CLIP	65100680		•	•																
0668	CLIP	65104316		•	•																
0669	CLIP	65104339		•	•																
0680	GASKET 3/8	573521		•	•																
0681	O - RING (9.19X2.62)	65104313		•	•																
0682	O-RING 3,53X17,04	65104262		•	•																
0683	O - RING (23.47X2.62)	65104315		•	•																
0685	O - RING (1.78X7.65)	65104329		•	•																
0686	O - RING (15.54X2.62)	65104325		•	•																
0687	O RING D: 5.7-1.9	61009834-10		•	•																
0688	O - RING (21.89X2.62)	65104320		•	•																
0689	O-RING 16,5X1,6	65105180		•	•																
0690	O-RING D: 8.9-2.7	61009834-14		•	•																
0691	O-RING D: 17.86-2.62	61308091		•	•																

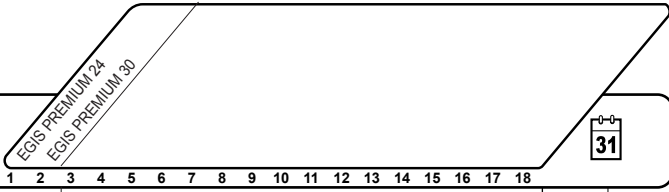


5000

**5001**  
 Transf. gaz > GPL  
 Conv. gas > GPL  
 Trasn. gas > GPL  
 Transf. gas > GPL

**5002**  
 Transf. gaz > Nat  
 Conv. gas > Nat  
 Trasn. gas > Met  
 Transf. gas > Met

**5020**  
 Options  
 Accessories  
 Opzioni  
 Accessorio



☉⇒	Description	Manf. Pt. N	Type	1 2 3 4 5 6 7 8 9 10 11 12 13 14 15 16 17 18																	
				1	2	3	4	5	6	7	8	9	10	11	12	13	14	15	16	17	18
<b>0800</b>	<b>ELECTRICAL BOX</b>																				
0801	FUSE 250V 2A - TEMPORIZED	61003456		•	•																
0806	PUSH	65104228		•	•																
0809	INSPECTION COVER	60001618		•	•																
0814	CONTROL PANEL	60001616		•	•																
0815	PRINTED CIRCUIT BOARD	60001899		•	•																
0816	PRINTED CIRCUIT BOARD (DISPLAY)	60001606		•	•																
0818	PUSH BUTTON	60001607		•	•																
0824	CONTROL PANEL COVER (REAR)	60001617		•	•																
0825	PRESSURE GAUGE	65104234		•	•																
0851	CONTROL PANEL	60001608		•	•																
0856	CABLE CLAMP	65103377		•	•																
0880	DISPLAY WIRING	60000746		•	•																
	FEEDER 240V	60001619		•	•																
	FLOW METER CABLE - PRESSURE SENSOR	60001620		•	•																
	THREE WAY VALVE CABLE	60001621		•	•																
	GAS VALVE CABLE	60001622		•	•																
	NTC PROBE - OVERHEAT THERMOSTAT CABLE	60001623		•	•																
	FAN CABLE	60001624		•	•																
	IGNITOR CABLE	60001818		•	•																
	EARTH WIRE	65104286		•	•																
	IONIZATION ELECTRODE CABLE	65104518		•	•																
	PUMP 2V CABLE 5M	65104520	WILO	•																	
	PUMP 2V CABLE 6M	65109585	WILO	•																	
<b>0900</b>	<b>JIG PLATE &amp; PIPE FITTING</b>																				
0910	WALL HOOK	60000625		•	•																
<b>5000</b>	<b>ACCESSORIES</b>																				
5020	EXCHANGER GASKETS (KIT)	65112138		•	•																
	BURNER GASKETS (KIT)	65112139		•	•																

## LIST OF THE ABBREVIATIONS

HW .....	: Hot water.
CW .....	: Cold water.
C .....	: Ceramic resistance (normal heating).
Ca .....	: Ceramic resistance (accelerated heating)
TP .....	: Immersion heater.
1F .....	: With fittings.
2F .....	: Without fittings.
3F .....	: With fittings and another outlet connection.
AMI .....	: With mixing valve.
SMI .....	: Without mixing valve.
PUISS .....	: Power of th appliance.
PN .....	: Appliance with normal pression.
LP .....	: Appliance with low pression.
PV .....	: Appliance with variable power.
PF .....	: Appliance with fixed power.

## IDENTIFICATION PLATE

### SERIAL NUMBER

10 Characters :

04 05 125 011  
 Year of manufacture    Manufacturing day    Sequential number

11 Characters :

1 95 065004 - 31  
 Month of manufacture :    Technical number of the appliance  
 from 1 to 9 → Jan. to Sep.,  
 O → Oct., N → Nov.,  
 D → Dec.    Sequential number  
 Year of manufacture

19 Characters :

08 05 0013199 900640031  
 Year of manufacture    Product reference  
 Month of manufacture    Sequential number

20 Characters :

3675007 XX 2 07 070 00315  
 Product reference    Sequential number  
 Millenium of manufacture    Manufacturing day  
 Year of manufacture

21 Characters :

3675007 XX 07 070 0000315  
 Product reference    Sequential number  
 Year of manufacture    Manufacturing day